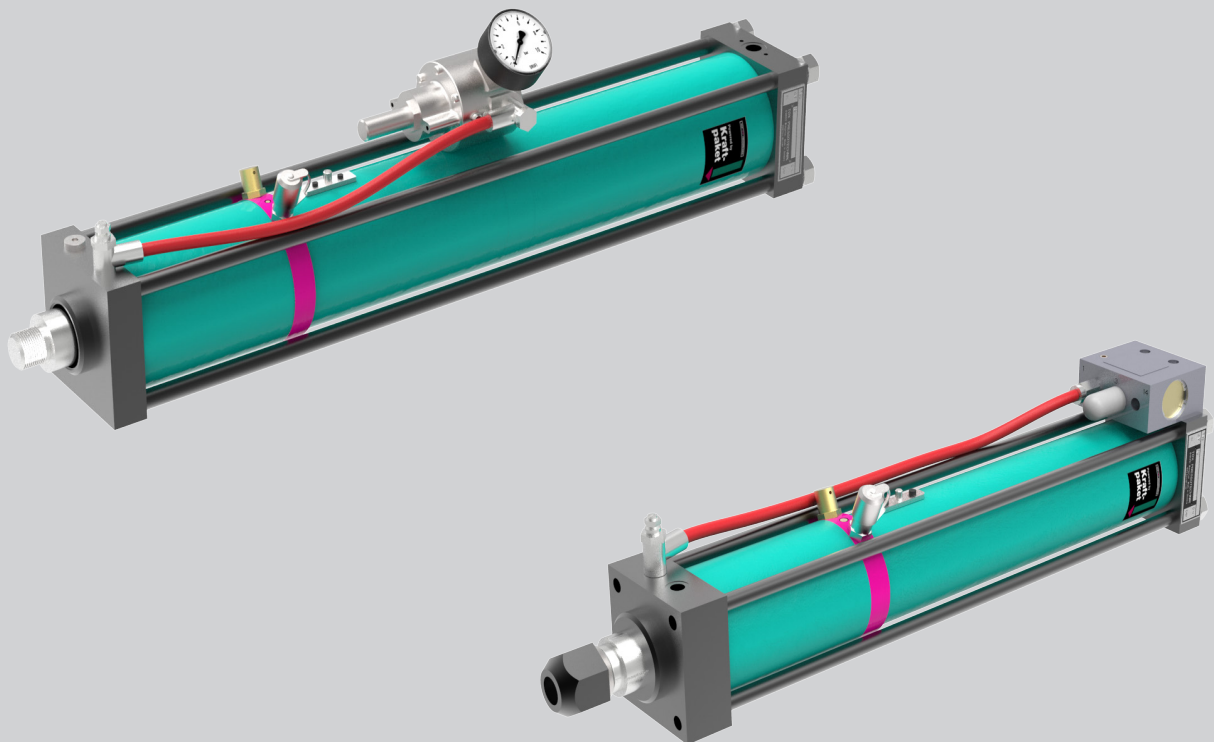


TOX®-Powerpackage Type T and RP

Data sheet 10.21
2016/04



TOX[®]-Powerpackage type T

The “Turbo cylinder“ with cycle speeds up to 550 strokes / min.
With integrated power bypass.

Advantages:

- Patented power bypass
- Constant press force
- Can be mounted in any orientation
- Internal positive stop

This cylinder is ideal for punching and nibbling machines providing optimum performance. External dampening is recommended.

Function:

The full stroke of the cylinder is power stroke. Constant air supply on retract side. Force is generated by the integrated air to oil intensifier. Features complete air to oil separation, integrated oil reservoir, precisely defined end positions, oil level indicator, standard oil refill nipple and high pressure measuring connection.

Controls:

Simple – like any single acting pneumatic cylinder. Return port is connected to a constant air supply. Min. air supply 3 bar.

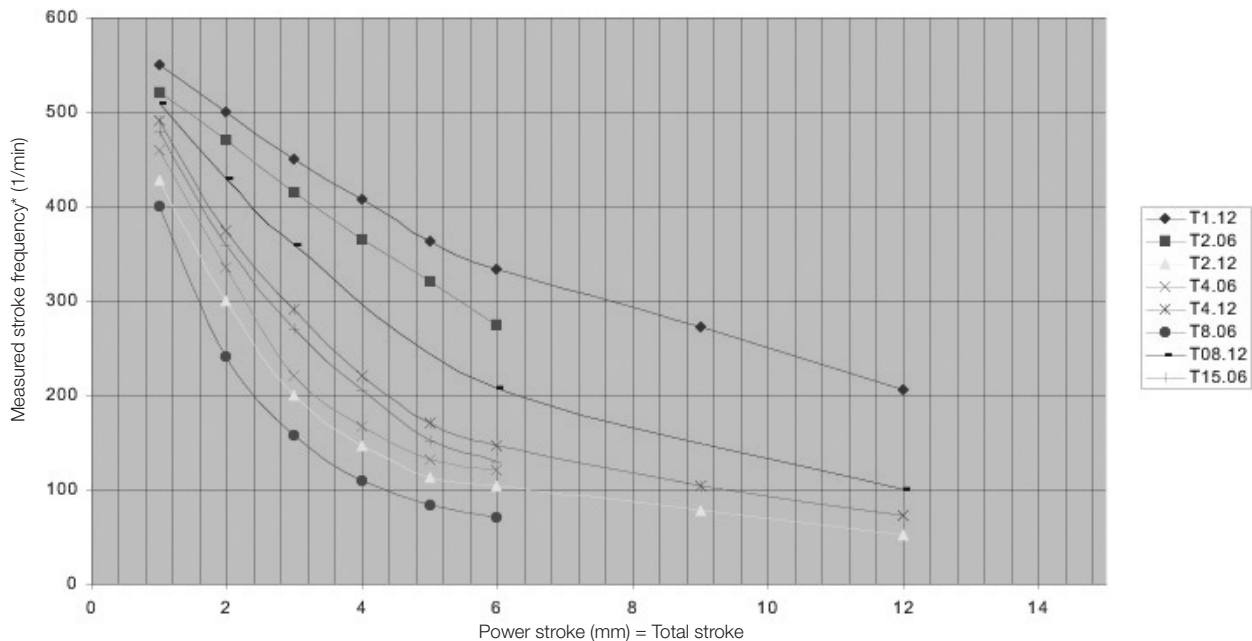
Mounting:

Can be mounted in any orientation. Side loads on working rod are not permitted. We recommend use of a flexible coupling from our TOX[®]-Powerpackage accessories.

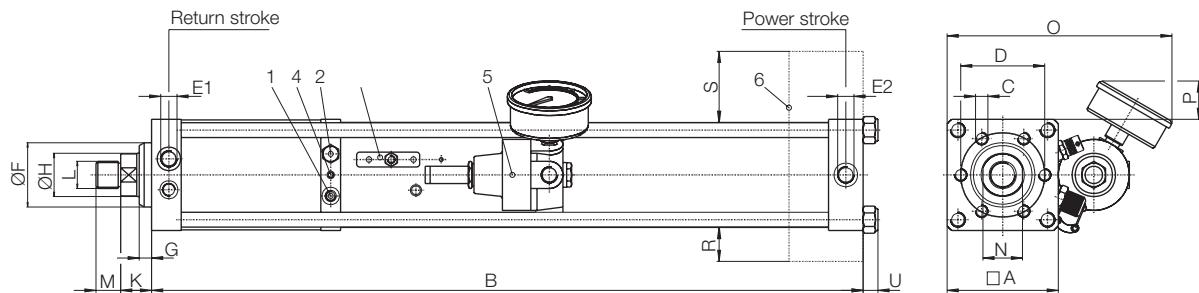
Accessories:

High frequency power stroke valve ZVT (double solenoid 24 V).

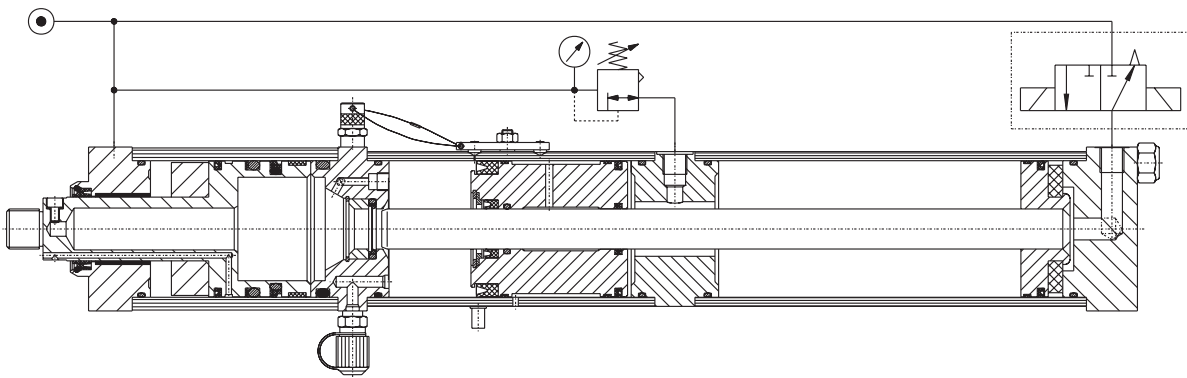
Cycle speed for TOX[®]-Powerpackage series T at 70 % effective force and 10bar (145psi) air pressure



*Values can vary depending on use and technical boundary conditions



- 1 High-pressure measuring hose
- 2 Oil filling nipple
- 3 Bleed plate
- 4 Oil level indicator
- 5 Pneumatic spring
- 6 Power stroke valve (please order separately)



| Type | Total stroke | Power stroke | at 6 bar compressed air max. Press force | | at 10 bar compressed air max. Press force | | at 6 bar compressed air Retracting force | | at 10 bar compressed air Retracting force | |
|---------|--------------|--------------|---|-------|--|-----|---|-----|--|--|
| | | | kN | kN | kN | kN | daN | daN | | |
| T 1.12. | 12 | 12 | 7 | 12.5 | 30 | 59 | | | | |
| T 2.6. | 6 | 6 | 13 | 23.0 | 30 | 59 | | | | |
| T 2.12. | 12 | 12 | 11 | 20.0 | 77 | 150 | | | | |
| T 4.6. | 6 | 6 | 22 | 39.0 | 77 | 150 | | | | |
| T 4.12. | 12 | 12 | 23 | 41.0 | 128 | 245 | | | | |
| T 8.6. | 6 | 6 | 45 | 80.0 | 128 | 245 | | | | |
| T 8.12. | 12 | 12 | 35 | 63.0 | 230 | 445 | | | | |
| T 15.6. | 6 | 6 | 68 | 120.0 | 230 | 445 | | | | |

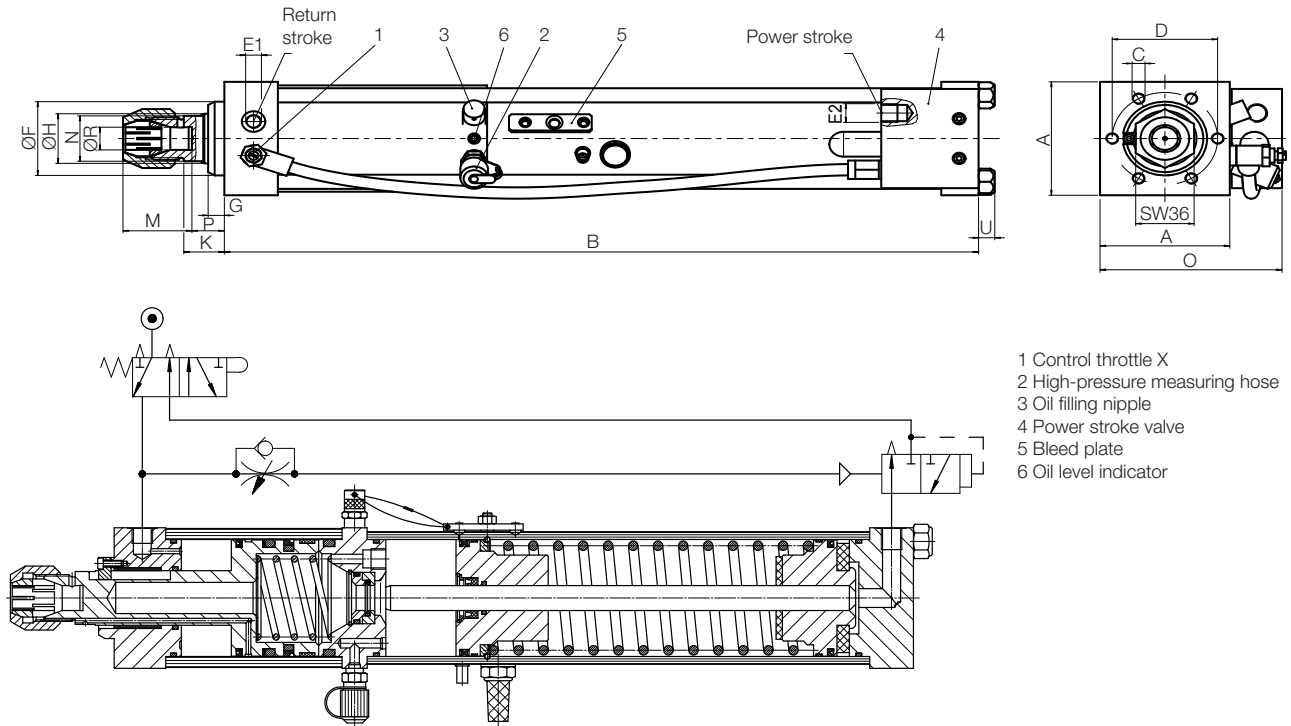
Dimensions in mm

| Type | A | B | C | D | E ₁ | E ₂ | F ₁₇ | G | H | K | L | M | N | O | P | R | S | U |
|---------|-----|-----|----------|----|----------------|----------------|-----------------|----|----|----|---------|----|----|-----|----|-----|-----|----|
| T 1.12. | 65 | 465 | 6xM 6x12 | 54 | G1/8 | G1/4 | 45 | 10 | 30 | 25 | M16x1,5 | 15 | 27 | 160 | 40 | 93 | 93 | 8 |
| T 2.6. | 65 | 465 | 6xM 6x12 | 54 | G1/8 | G1/4 | 45 | 10 | 30 | 25 | M16x1,5 | 15 | 27 | 160 | 40 | 93 | 93 | 8 |
| T 2.12. | 80 | 514 | 6xM 8x12 | 65 | G1/8 | G1/4 | 52 | 10 | 35 | 25 | M22x2 | 20 | 32 | 165 | 35 | 80 | 80 | 10 |
| T 4.6. | 80 | 514 | 6xM 8x12 | 65 | G1/8 | G1/4 | 52 | 10 | 35 | 25 | M22x2 | 20 | 32 | 165 | 35 | 80 | 80 | 10 |
| T 4.12. | 90 | 576 | 6xM10x16 | 68 | G1/4 | G1/4 | 52 | 10 | 35 | 25 | M22x2 | 20 | 32 | 185 | 25 | 75 | 75 | 12 |
| T 8.6. | 90 | 576 | 6xM10x16 | 68 | G1/4 | G1/4 | 52 | 10 | 35 | 25 | M22x2 | 20 | 32 | 185 | 25 | 75 | 75 | 12 |
| T 8.12. | 110 | 582 | 6xM10x16 | 88 | G1/4 | G1/2 | 70 | 10 | 45 | 25 | M30x2 | 25 | 36 | 220 | 40 | 110 | 110 | 12 |
| T 15.6. | 110 | 582 | 6xM10x16 | 88 | G1/4 | G1/2 | 70 | 10 | 45 | 25 | M30x2 | 25 | 36 | 220 | 40 | 110 | 110 | 12 |

Dimensions in mm

TOX[®]-Powerpackage type RP

Embossing cylinder with anti-rotation device and clamping chuck



| Type | Total stroke | Power stroke | at 6 bar compressed air max. Press force kN | at compressed air 10 bar max. Press force kN | Fast approach force daN | at 6 bar compressed air Retracting force daN | at 10 bar compressed air Retracting force daN |
|------------|--------------|--------------|---|--|-------------------------|--|---|
| RP 8.32.3 | 32. | 3 | 44 | 79 | 40 | 51 | 86 |
| RP 15.32.3 | 32. | 3 | 91 | 159 | 50 | 92 | 154 |

Dimensions in mm

| Type | A | B | C | D | E ₁ | E ₂ | F _{T7} | G | H | K | M | N | O | P | R | U |
|------------|----|-----|----------|----|----------------|----------------|-----------------|----|----|----|------|----|-----|----|----|----|
| RP 8.32.3 | 80 | 465 | 6xM 8x12 | 65 | G1/8 | G1/4 | 52 | 10 | 35 | 25 | 46.5 | 32 | 113 | 20 | 16 | 10 |
| RP 15.32.3 | 90 | 512 | 6xM10x16 | 68 | G1/4 | G1/4 | 52 | 10 | 35 | 25 | 46.5 | 32 | 123 | 20 | 16 | 12 |

Dimensions in mm

Function:

Fast approach via built-in spring. Pneumatic-hydraulic power stroke activated at any point of fast approach. Return stroke entirely pneumatic. Force generated via pressure intensifier, absolute air/oil separation, integrated oil reservoir, oil level indicator and oil filling nipple, measuring and control connection for pressure gauge or pressure switch. This allows sequential functions to be controlled, such as return stroke activation, stamping depth adjustment, etc.

Attention:

In pressureless state the piston rod extends due to the spring-driven fast approach force. Return stroke air pressure: minimum 5 bar.

TOX®-Powerpackage special versions

TOX®-Powerpackage ZLM for use in the food industry

With the exception of line-Q, all TOX®-Powerpackages are available with food grade oil and grease lubrication. Both lubricants are certified according to USDA-H11 and are used wherever there is a chance of occasional, technically unavoidable contact between foodstuffs and lubricant.

TOX®-Powerpackages are used in industrial food manufacturing, processing, filling and packaging machines, as well as in the pharmaceutical and cosmetics industry.

Compatible with:

All TOX®-Powerpackages (without line-Q)

Order no.

S 1.32.6 - **ZLM**

└── Food-grade version
└── Order no. of TOX®-Powerpackage

TOX®-Powerpackage in anti-rust version ZRO

With the exception of line-Q, all TOX®-Powerpackages can be supplied with rust protection. All individual parts are either plasma nitrided, galvanised or primed and painted. These devices are particularly suitable for use in the food and packaging industries.

Compatible with:

All TOX®-Powerpackages (without line-Q)

Order no.

S 1.32.6 - **ZRO**

└── Anti-rust version
└── Order no. of TOX®-Powerpackage

On request, we can provide TOX®-Powerpackages as stainless steel version. Please contact us!